

# PRO36 - Split Core CT

The PRO CT series offers a range of split core current transformers designed for installation into existing plants where removal of busbars/ cable lugs prevent installation of standard current transformers. To measure a.c. primary currents and produce a proportional secondary current.

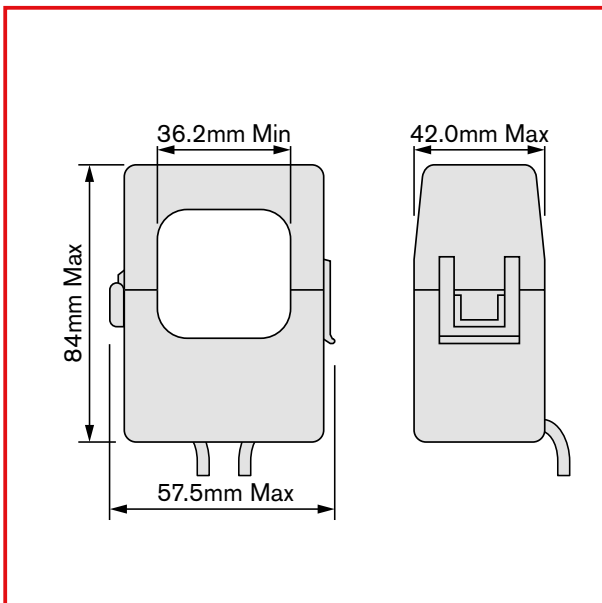
## PRO36

- Primary Current : 250 to 600A
- 36mm cable aperture
- Integral 1m cable
- Snap together housing

All our Current Transformers come with a **5 year** warranty.



## Dimensions:



## Current Transformer Ratios:

Article Number	Ratio	Class	Burden
PRO36-CT5-250c	250/5	0.5	2VA
PRO36-CT5-300c	300/5	0.5	2VA
<b>7017 PRO36-CT5-400c</b>	400/5	0.5	2VA
<b>7018 PRO36-CT5-600c</b>	600/5	0.5	2VA

*blue = in stock*